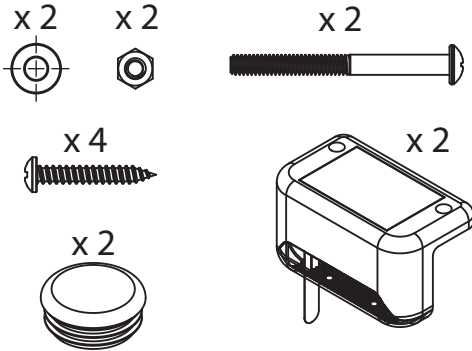
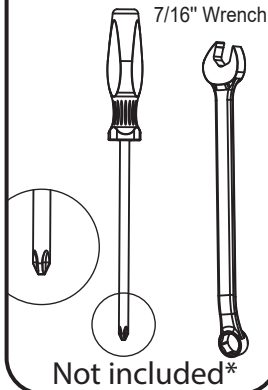


# ASSEMBLY INSTRUCTIONS FOR Step<sup>in</sup>Spa #4800

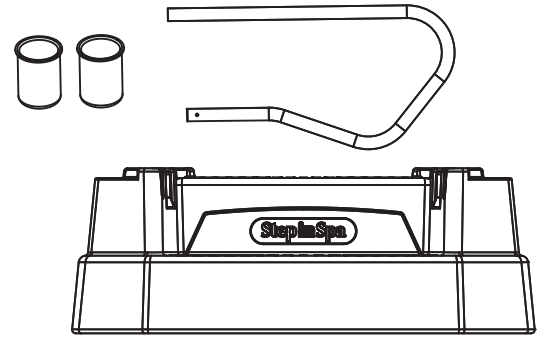
## INCLUDED FOR SKU # 4800



## Tools required\*



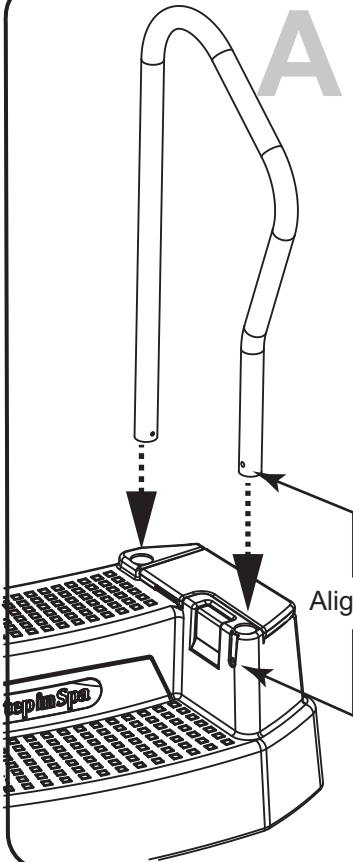
## INCLUDED FOR SKU # 4800



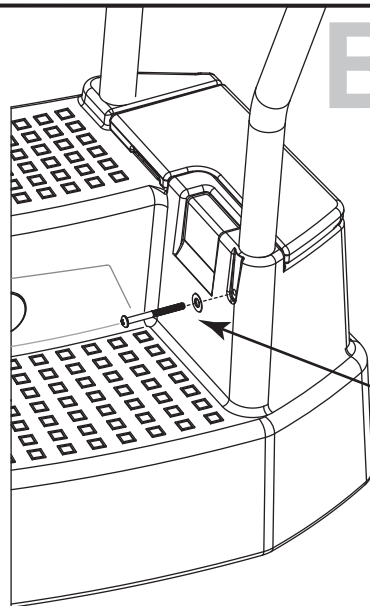
## ⚠ WARNING

To prevent fall an injuries, install the step on a firm and flat surface.

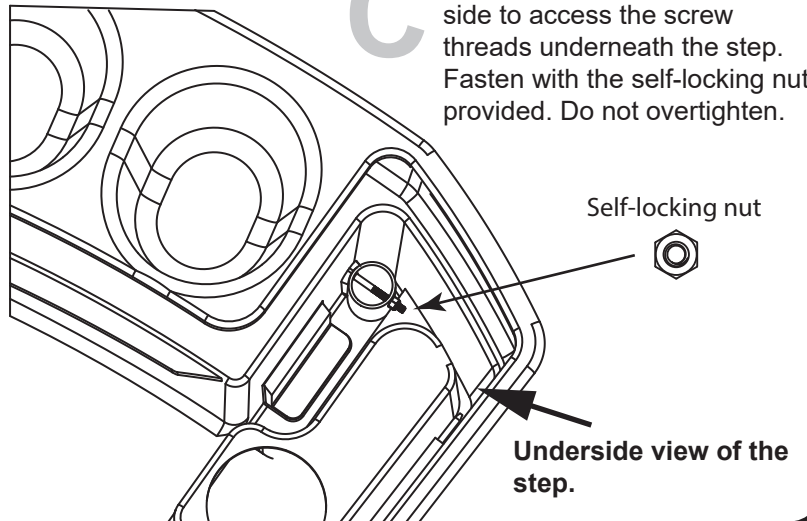
**A** The handrail can be installed on the right or left side to your liking. Insert the tubes into the step. Align the front screw hole of the step with the corresponding hole in the handrail.



**B** Insert a provided screw and flat washer into the hole through the step and handrail tube.



**C** Turn the step assembly on the side to access the screw threads underneath the step. Fasten with the self-locking nut provided. Do not overtighten.



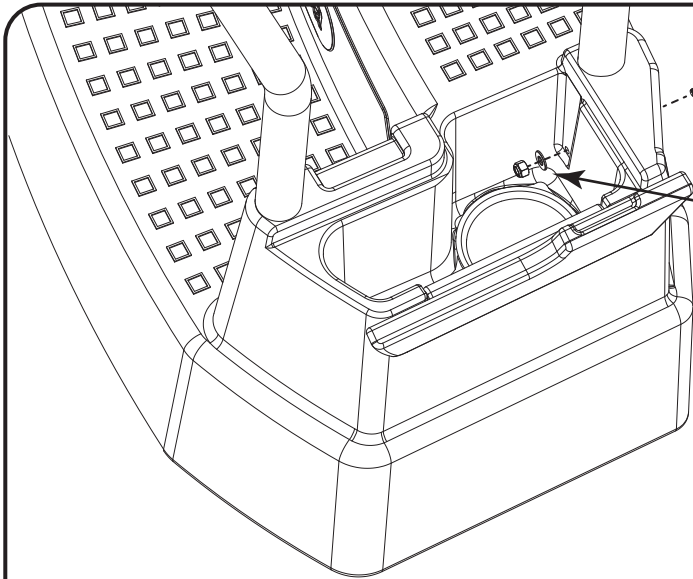
## LIMITED WARRANTY

1 year warranty on manufacturing defects of step only. 90 days on solar lights. Replacement only.

Lumi

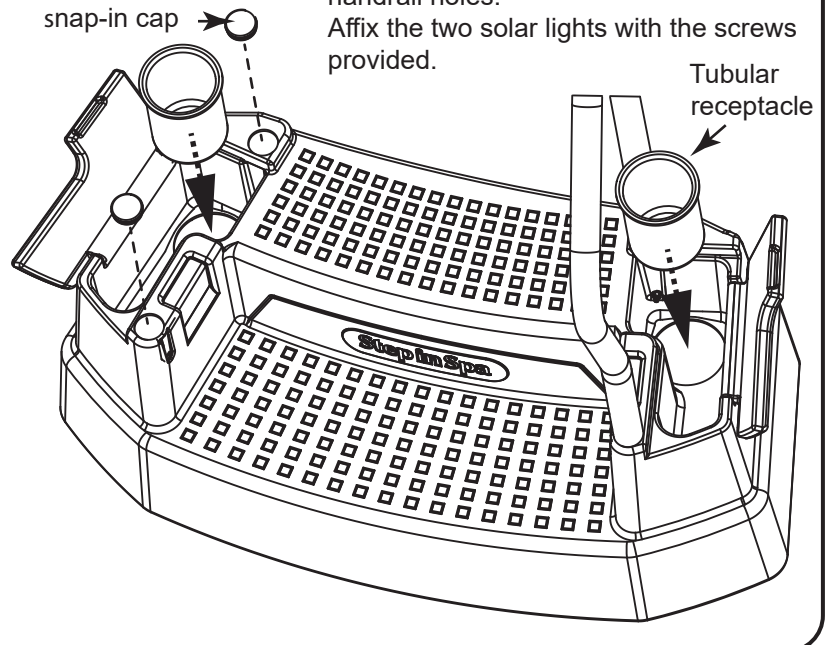
Innova  
Plus

# ASSEMBLY INSTRUCTIONS FOR Step in Spa #4800



Screw  
Locknut and  
flat washer.

**D** To complete the installation of the handrail, insert the screw into the rear hole of the step and handrail, and fasten with the locknut and flat washer provided.



**E** Insert the two tubular receptacles into the storage compartments. Insert the snap-in cap into the unused handrail holes. Affix the two solar lights with the screws provided.

snap-in cap

Tubular  
receptacle

Solar light

## ABOUT THE SOLAR LIGHT

**E** 1) Pull and remove the tab to activate the solar light once you install the light on the step.

2) The battery can be replaced by pulling the lens out with a small flat screw-driver. Release the clip by pushing on the center of the lens and slide the lens up.

3) The replacement battery should be rechargeable AAA format, Ni-MH600mAh 1.2V

